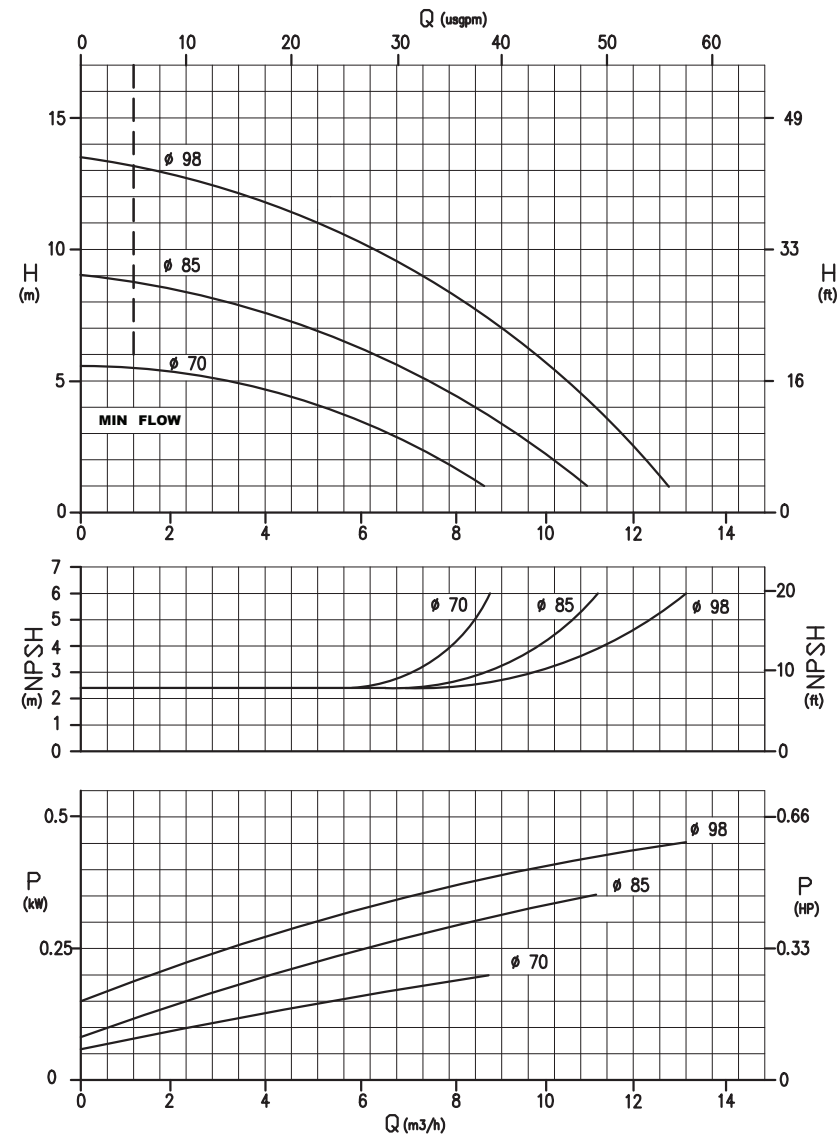


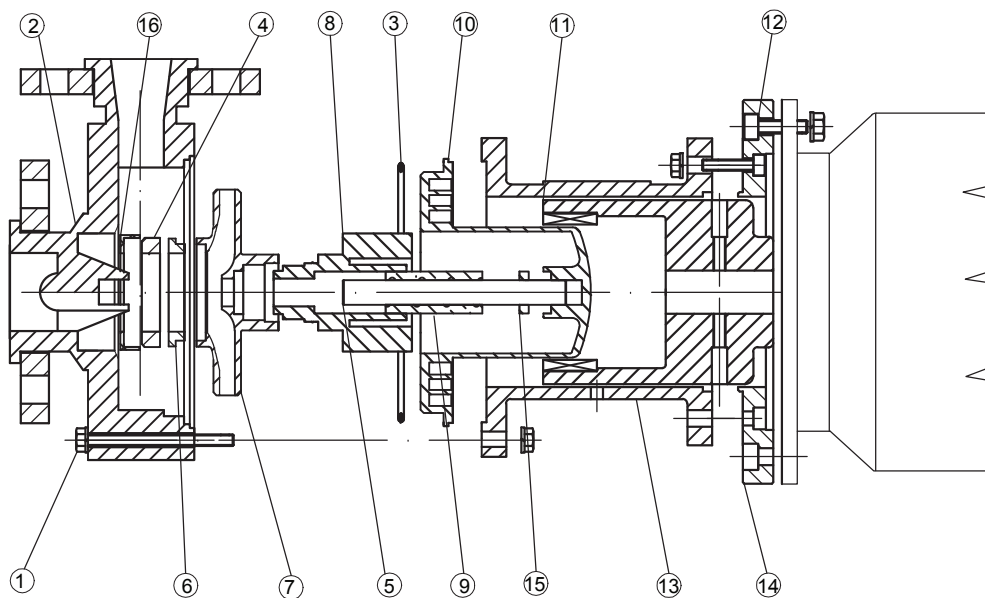
FEATURES/CARATTERISTICHE

Materials available/Materiali disponibili:	PP-PVDF
Max flow/Portata massima:	13 m <sup>3</sup> /h
Max head/Prevalenza massima:	14 m
Max temperature/Temperatura massima:	PP 60°C/PVDF 90°C
Max viscosity/Viscosità massima:	200 cSt
Pressure rating/Pressione nominale massima:	NP/PN @
Pump weight/Peso pompa:	PP: 3.0 Kg PVDF: 3.5 Kg
Motor weight/Peso motore (0.55kW):	approx. 7 Kg

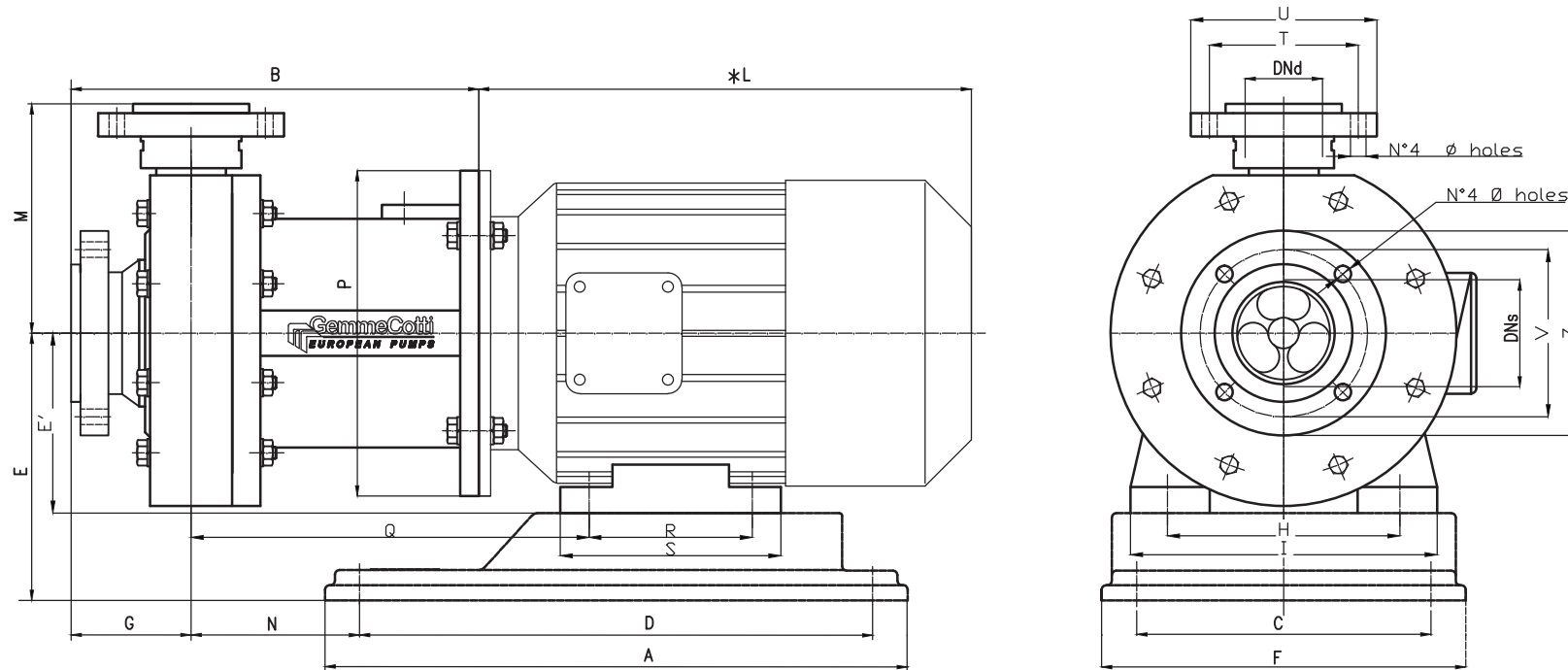
CURVES/CURVE 50HZ-2900 RPM



SECTION AND PARTS LIST/SEZIONE E LISTA PARTI



POS.	1	2	3	4	5	6	7	8	9	10	11	12	13	14	15	16
PART DESCR.	SET SCREWS	PUMP HEAD	O-RING	STATIC RING	SHAFT	ROTATING RING	IMPELLER	INT. MAGNET	INT. MAGNET RING	REAR CASING	EXT. MAGNET	SET SCREWS	BRACKET	CONNECTION FLANGE	REAR RING	GLOVE
MATERIALS	AlSi304	PP PVDF	EPDM VITON	Al <sub>2</sub> O <sub>3</sub>	Al <sub>2</sub> O <sub>3</sub>	PTFEC	PP PVDF	PP PVDF NeFeb	PTFEC	PP PVDF	AVP NeFeb	AlSi304	Cast Iron Aluminium	AlSi304	Al <sub>2</sub> O <sub>3</sub>	EPDM VITON



Base plate and motor as option – quoted under request with separated price

Piede d'appoggio e motore opzionali – prezzo quotato a parte su richiesta

PUMP TYPE	MOTOR FLANGE B3-B5	POT. Kw	DIMENSIONS - mm -														FLANGES DIN PN10 - DIMENSIONS - mm									
			A	B	C	D	E	E'	F	G	H	I	*L	M	N	P	Q	R	S	T	U	V	Z	DNs	DNd	∅ holes
HCM 32-25	G 71	0.55	280	187	130	244	119	71	160	75	112	140	260	115	45	158.5	157	90	110	85	117	100	143	32	25	14

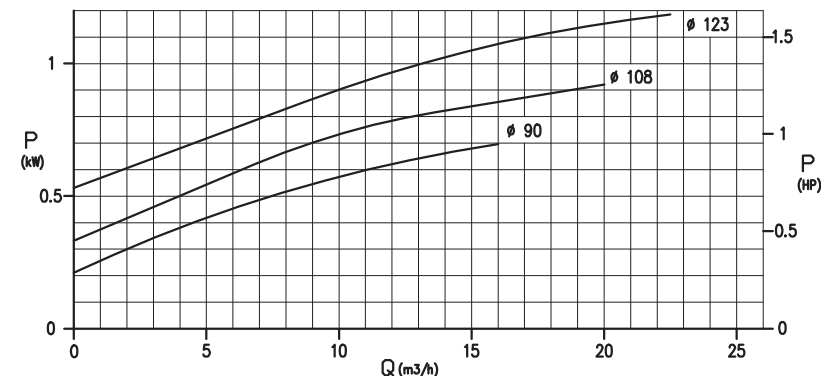
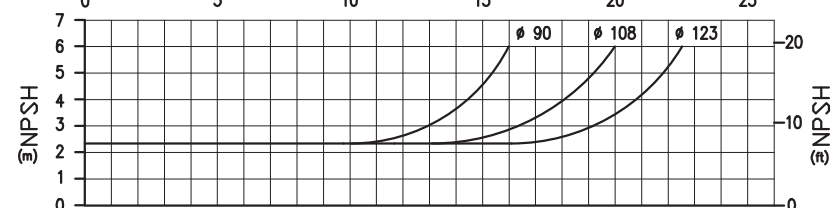
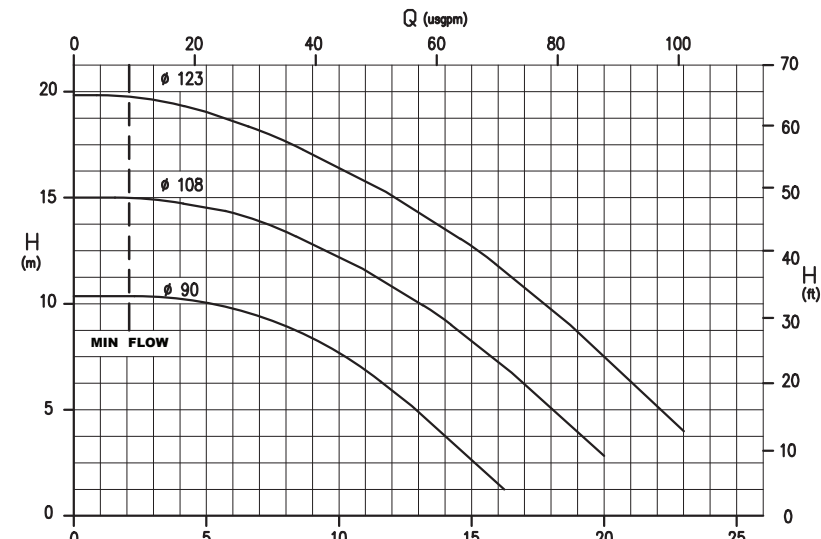
\* Different according to the manufacturer / Diverso a seconda del fornitore

\*\* Threaded version not available / Versione filettata non disponibile

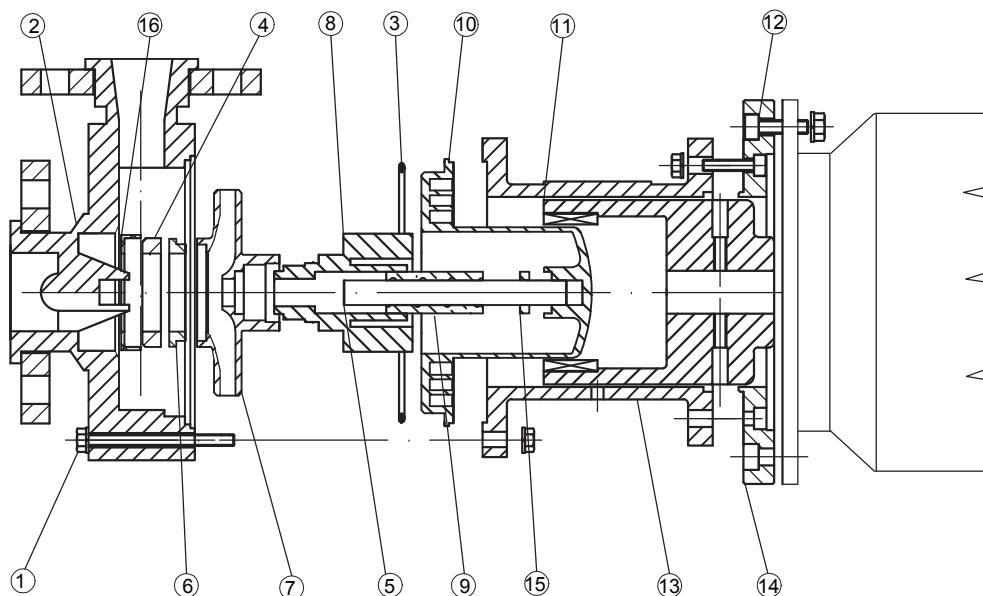
## FEATURES/CARATTERISTICHE

Materials available/Materiali disponibili:	PP-PVDF
Max flow/Portata massima:	23 m <sup>3</sup> /h
Max head/Prevalenza massima:	20 m
Max temperature/Temperatura massima:	PP 60°C/PVDF 90°C
Max viscosity/Viscosità massima:	200 cSt
Pressure rating/Pressione nominale massima:	NP/PN @
Pump weight/Peso pompa:	PP: 7.0 Kg PVDF: 8.0 Kg
Motor weight/Peso motore (1.5kW):	approx. 13 Kg

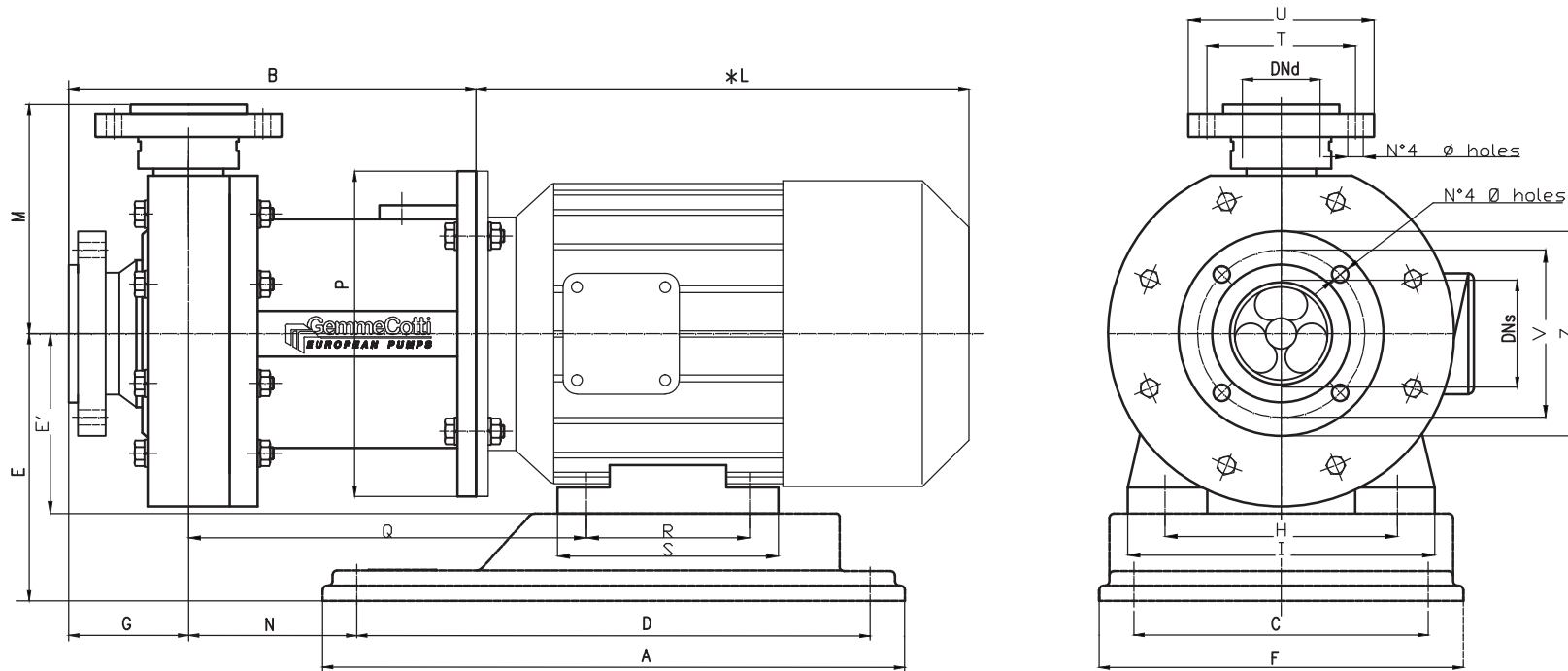
## CURVES/CURVE 50HZ-2900 RPM



## SECTION AND PARTS LIST/SEZIONE E LISTA PARTI



POS.	1	2	3	4	5	6	7	8	9	10	11	12	13	14	15	16
PART DESCR.	SET SCREWS	PUMP HEAD	O-RING	STATIC RING	SHAFT	ROTATING RING	IMPELLER	INT. MAGNET	INT. MAGNET RING	REAR CASING	EXT. MAGNET	SET SCREWS	BRACKET	CONNECTION FLANGE	REAR RING	GLOVE
MATERIALS	AlSi304	PP PVDF	EPDM VITON	Al2O3	Al2O3	PTFEC	PP PVDF	PP PVDF NeFeb	PTFEC	PP PVDF	AVP NeFeb	AlSi304	Cast Iron Aluminium	AlSi304	Al2O3	EPDM VITON



Base plate and motor as option – quoted under request with separated price  
Piede d'appoggio e motore opzionali – prezzo quotato a parte su richiesta

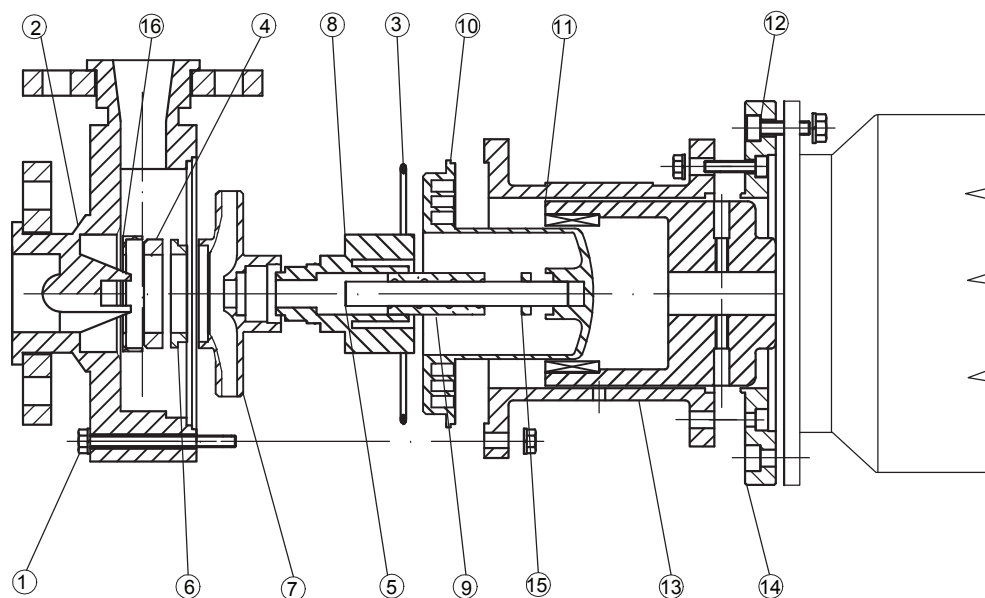
PUMP TYPE	MOTOR FLANGE B3-B5	POT. Kw	DIMENSIONS - mm -														FLANGES DIN PN10 - DIMENSIONS - mm									
			A	B	C	D	E	E'	F	G	H	I	*L	M	N	P	Q	R	S	T	U	V	Z	DNs	DNd	∅ holes
HCM 40-32	G 80	1.1	350	236	146	302	140	80	205	85	125	160	280	142	114	200	234	100	130	100	143	110	153	40	32	14
	G 90	1.5		246			150	90			140	180					240	125	160							

\* Different according to the manufacturer / Diverso a seconda del fornitore  
\*\* Threaded version not available / Versione filettata non disponibile

**FEATURES/CARATTERISTICHE**

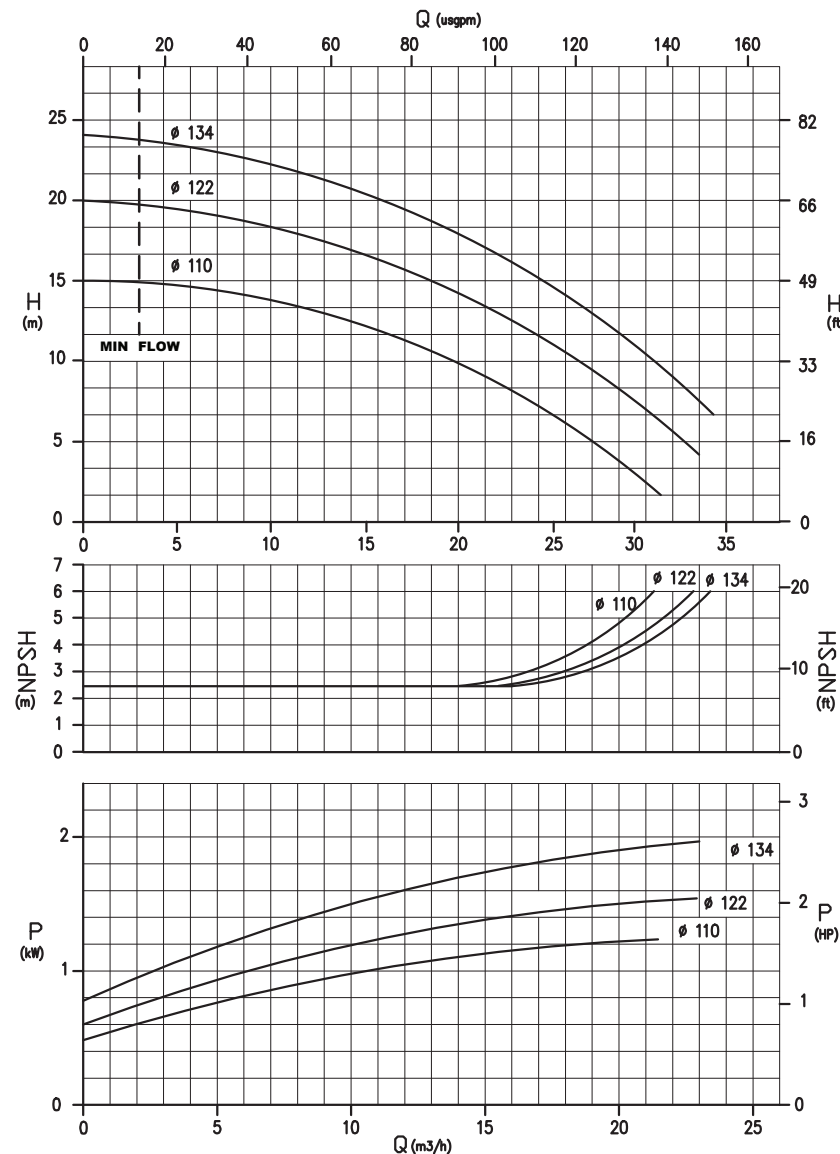
Materials available/Materiali disponibili:	PP-PVDF
Max flow/Portata massima:	35 m <sup>3</sup> /h
Max head/Prevalenza massima:	24 m
Max temperature/Temperatura massima:	PP 60°C/PVDF 90°C
Max viscosity/Viscosità massima:	200 cSt
Pressure rating/Pressione nominale massima:	NP/PN @
Pump weight/Peso pompa:	PP: 10 Kg PVDF: 11 Kg
Motor weight/Peso motore (3.0kW):	approx. 23 Kg

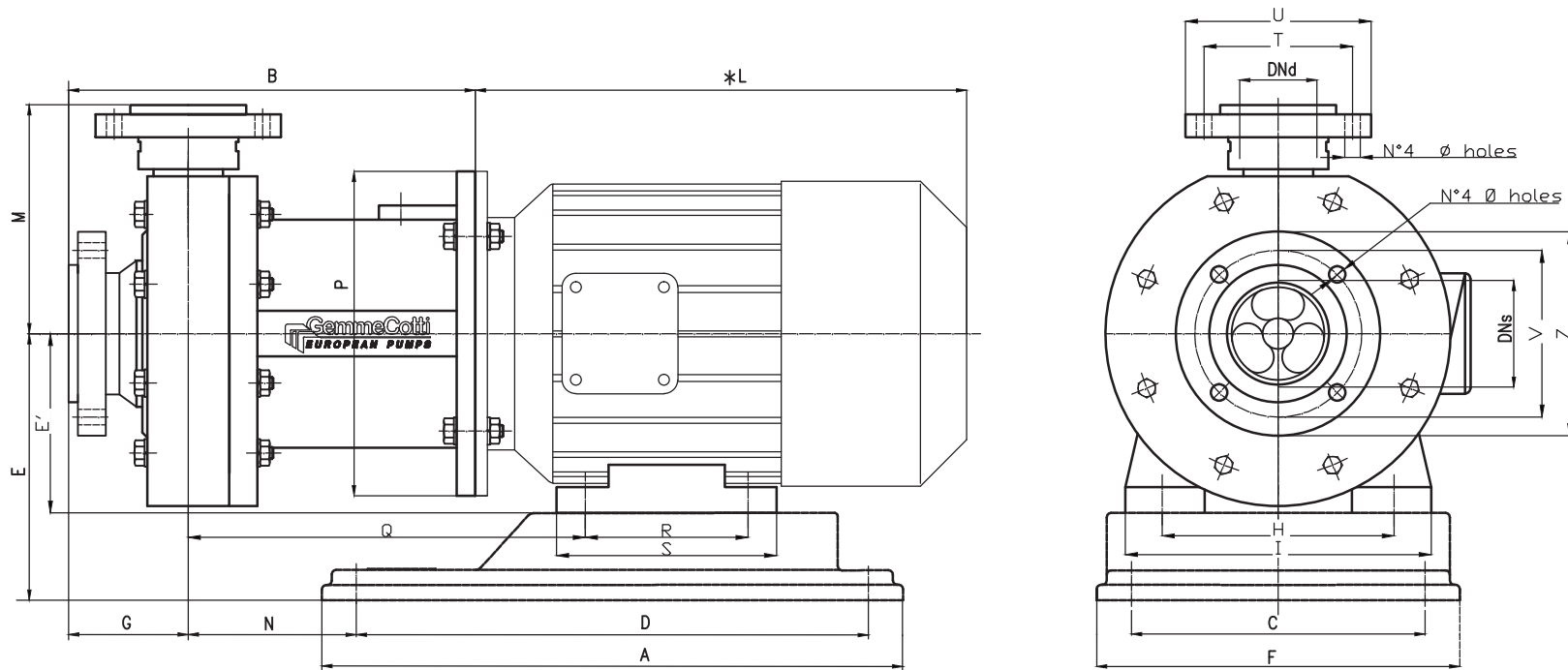
**SECTION AND PARTS LIST/SEZIONE E LISTA PARTI**



POS.	1	2	3	4	5	6	7	8	9	10	11	12	13	14	15	16
PART DESCR.	SET SCREWS	PUMP HEAD	O-RING	STATIC RING	SHAFT	ROTATING RING	IMPELLER	INT. MAGNET	INT. MAGNET RING	REAR CASING	EXT. MAGNET	SET SCREWS	BRACKET	CONNECTION FLANGE	REAR RING	GLOVE
MATERIALS	ALSI304	PP PVDF	EPDM VITON	Al2O3	Al2O3	PTFEC	PP PVDF	PP PVDF NeFeb	PTFEC	PP PVDF	AVP NeFeb	ALSI304	Cast Iron Aluminium	ALSI304	Al2O3	EPDM VITON

**CURVES/CURVE 50HZ-2900 RPM**





Base plate and motor as option – quoted under request with separated price  
 Piede d'appoggio e motore opzionali – prezzo quotato a parte su richiesta

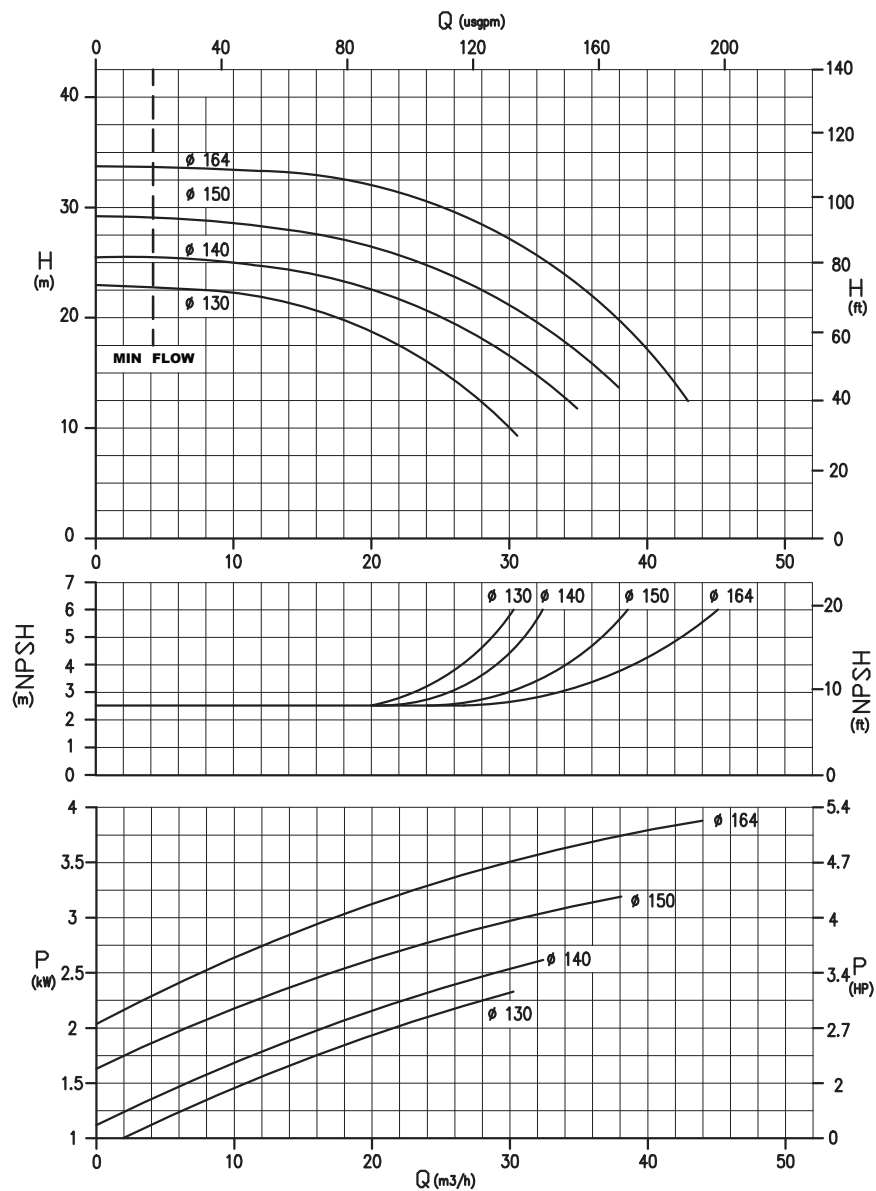
PUMP TYPE	MOTOR FLANGE B3-B5	POT. Kw	DIMENSIONS - mm -																	FLANGES DIN PN10 - DIMENSIONS - mm						
			A	B	C	D	E	E'	F	G	H	I	*L	M	N	P	Q	R	S	T	U	V	Z	DNs	DNd	∅ holes
HCM 50-40	G 90	2.2	350	268	146	302	150	90	205	84	140	180	280	149	108	200	240	125	160	110	153	125	168	50	40	18
	G 100	3	400		202	352	160	100	250		160	200	316		107	250	247	140	182							

\* Different according to the manufacturer / Diverso a seconda del fornitore  
 \*\* Threaded version not available / Versione filettata non disponibile

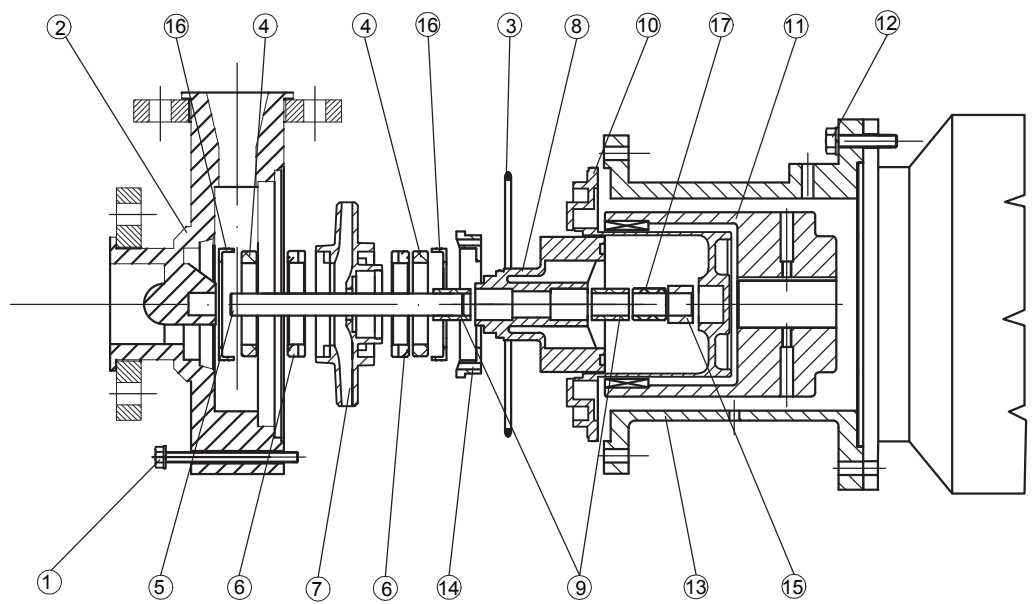
**FEATURES/CARATTERISTICHE**

Materials available/Materiali disponibili:	PP-PVDF
Max flow/Portata massima:	43 m <sup>3</sup> /h
Max head/Prevalenza massima:	33 m
Max temperature/Temperatura massima:	PP 60°C/PVDF 90°C
Max viscosity/Viscosità massima:	200 cSt
Pressure rating/Pressione nominale massima:	NP/PN @
Pump weight/Peso pompa:	PP: 37 Kg PVDF: 41 Kg
Motor weight/Peso motore (7.5kW):	approx. 39 Kg

**CURVES/CURVE 50HZ-2900 RPM**

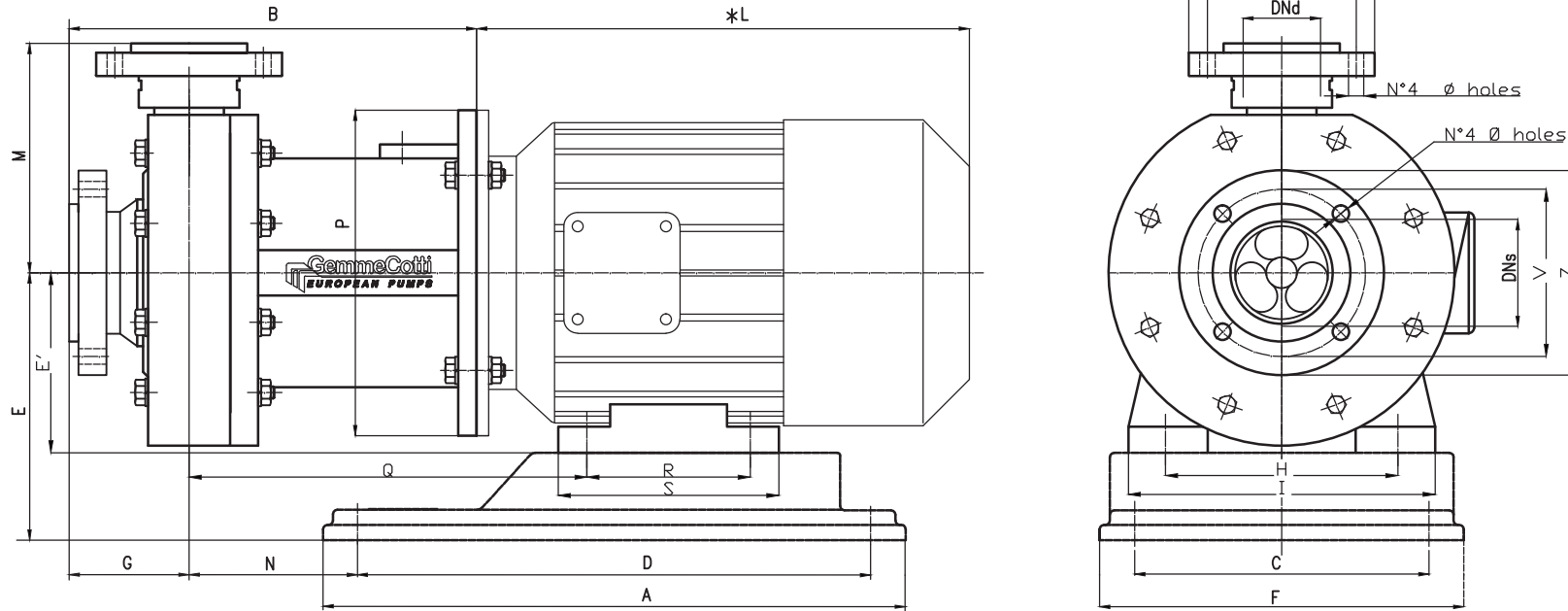


**SECTION AND PARTS LIST/SEZIONE E LISTA PARTI**



POS.	1	2	3	4	5	6	7	8	9	10	11	12	13	14	15	16	17
PART DESCR.	SET SCREWS	PUMP HEAD	O-RING	STATIC RING	SHAFT	ROTATING RING	IMPELLER	INT. MAGNET	INT. MAGNET RING	REAR CASING	EXT. MAGNET	SET SCREWS	BRACKET	FLANGE	REAR BEARING	GLOVE	BUSHING
MATERIALS	AISI304	PP PVDF	EPDM VITON	Al <sub>2</sub> O <sub>3</sub>	Al <sub>2</sub> O <sub>3</sub>	PTFEC	PP PVDF	PP PVDF NeFeb	PTFEC	PP PVDF	AVP NeFeb	AISI304	Cast Iron Aluminium	PP PVDF	PTFEC- 25% C	EPDM VITON	PTFEC

All data stated are an indication and are liable to change without notice / Tutti i dati sono indicativi e possono variare senza preavviso



Base plate and motor as option – quoted under request with separated price  
 Piede d'appoggio e motore opzionali – prezzo quotato a parte su richiesta

PUMP TYPE	MOTOR FLANGE B3-B5	POT. Kw	DIMENSIONS - mm -																	FLANGES DIN PN10 - DIMENSIONS - mm						
			A	B	C	D	E	E'	F	G	H	I	*L	M	N	P	Q	R	S	T	U	V	Z	DNs	DNd	∅ holes
HCM 65-50-L	G 112	4	400	331	202	352	172	112	250	103	190	230	324	171	142	250	298	140	195	125	168	145	188	65	50	18

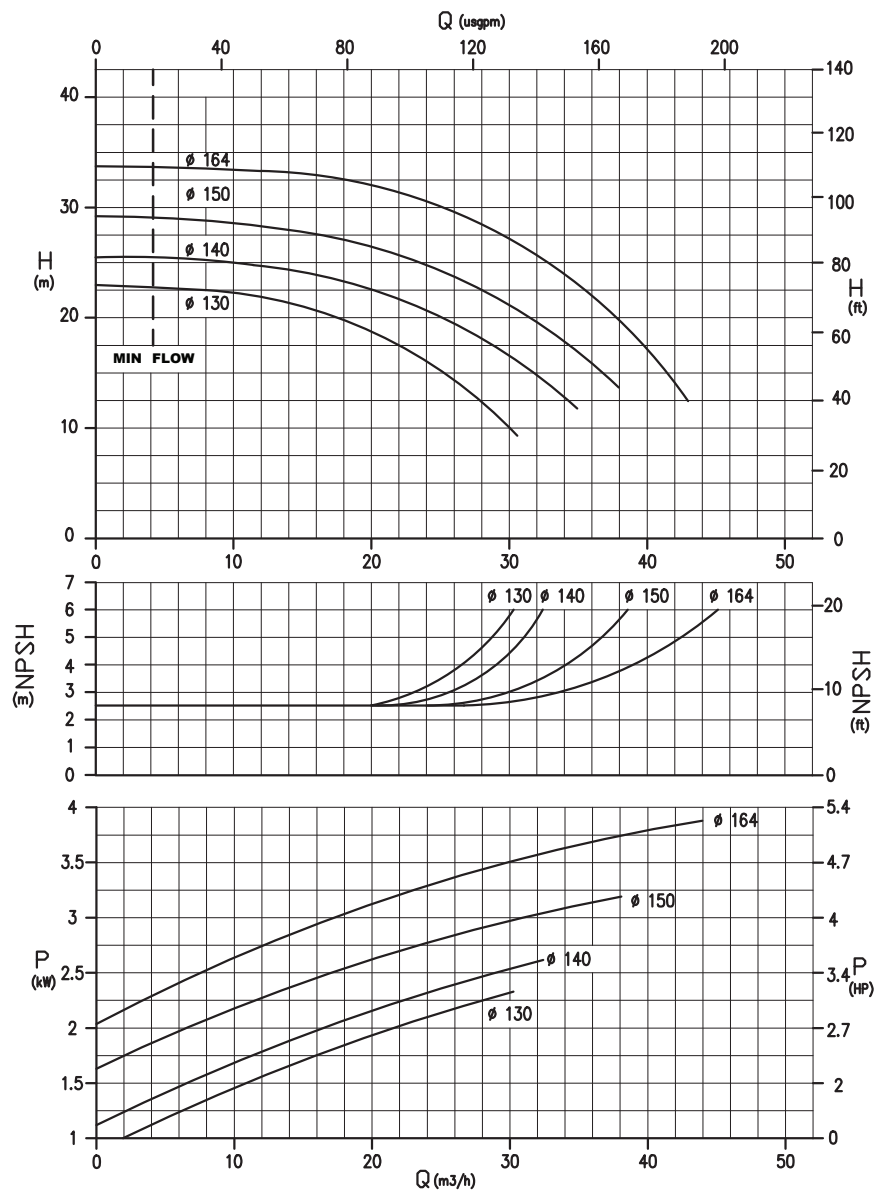
\* Different according to the manufacturer / Diverso a seconda del fornitore  
 \*\* Threaded version not available / Versione filettata non disponibile



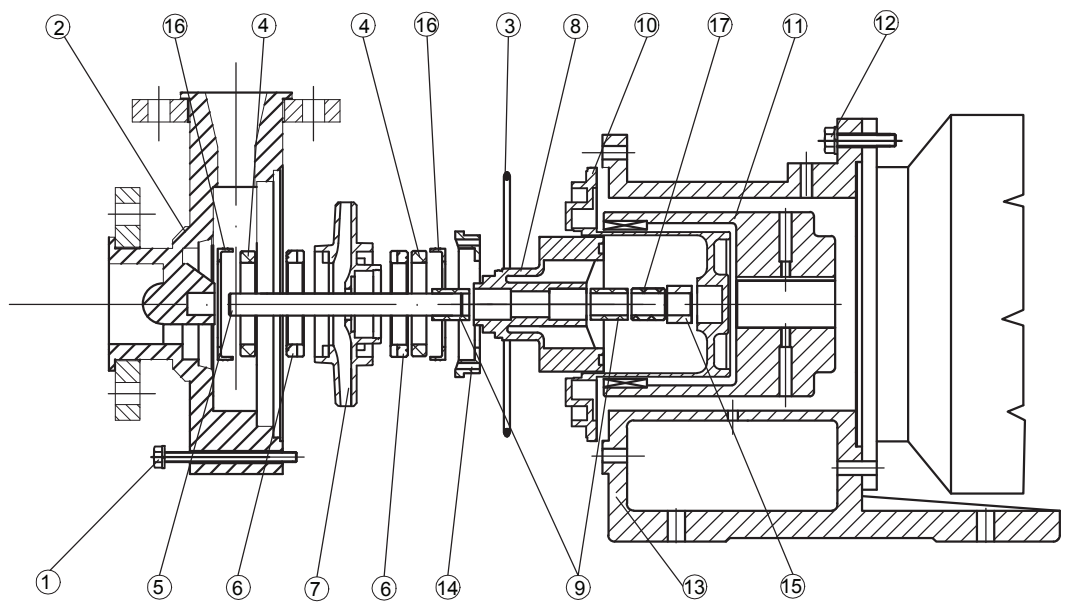
## FEATURES/CARATTERISTICHE

Materials available/Materiali disponibili:	PP-PVDF
Max flow/Portata massima:	43 m <sup>3</sup> /h
Max head/Prevalenza massima:	33 m
Max temperature/Temperatura massima:	PP 60°C/PVDF 90°C
Max viscosity/Viscosità massima:	200 cSt
Pressure rating/Pressione nominale massima:	NP/PN @
Pump weight/Peso pompa:	PP: 37 Kg PVDF: 41 Kg
Motor weight/Peso motore (7.5kW):	approx. 39 Kg

## CURVES/CURVE 50HZ-2900 RPM

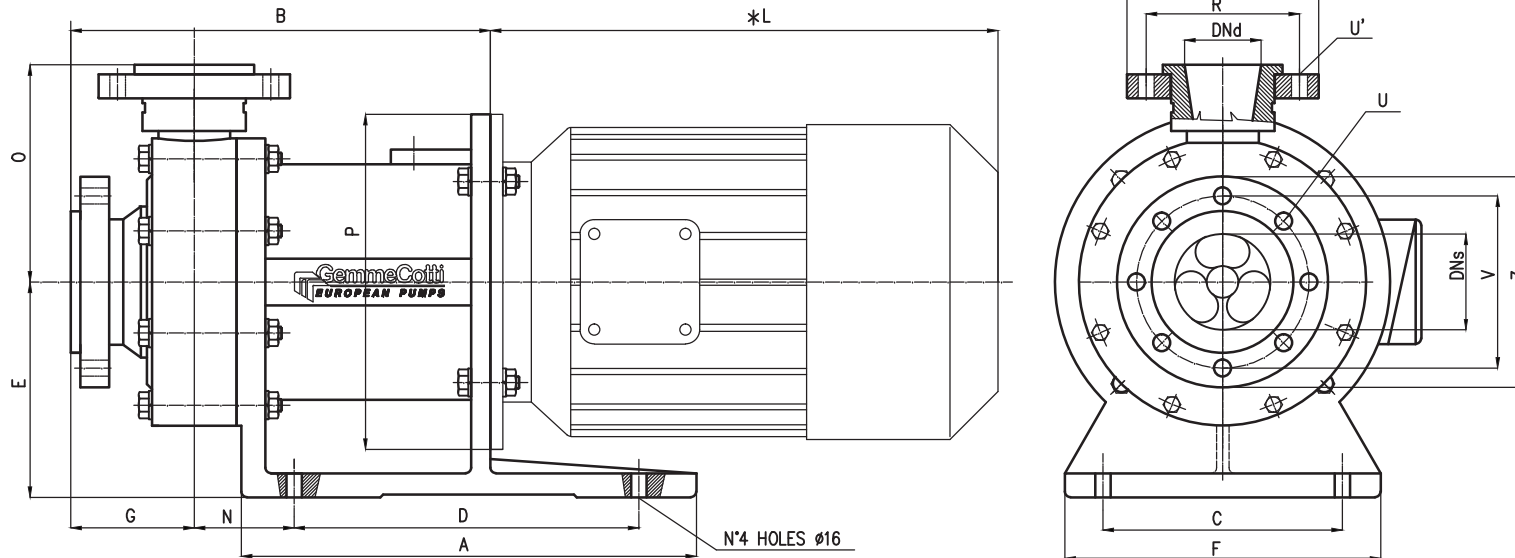


## SECTION AND PARTS LIST/SEZIONE E LISTA PARTI



POS.	1	2	3	4	5	6	7	8	9	10	11	12	13	14	15	16	17
PART DESCR.	SET SCREWS	PUMP HEAD	O-RING	STATIC RING	SHAFT	ROTATING RING	IMPELLER	INT. MAGNET	INT. MAGNET RING	REAR CASING	EXT. MAGNET	SET SCREWS	BRACKET	FLANGE	REAR BEARING	GLOVE	BUSHING
MATERIALS	AISI304	PP PVDF	EPDM VITON	Al <sub>2</sub> O <sub>3</sub>	Al <sub>2</sub> O <sub>3</sub>	PTFEC	PP PVDF	PP PVDF NeFeb	PTFEC	PP PVDF	AVP NeFeb	AISI304	Cast Iron Aluminium	PP PVDF	PTFEC- 25% C	EPDM VITON	PTFEC

All data stated are an indication and are liable to change without notice / Tutti i dati sono indicativi e possono variare senza preavviso



Motor as option – quoted under request with separated price  
Motore opzionale – prezzo quotato a parte su richiesta

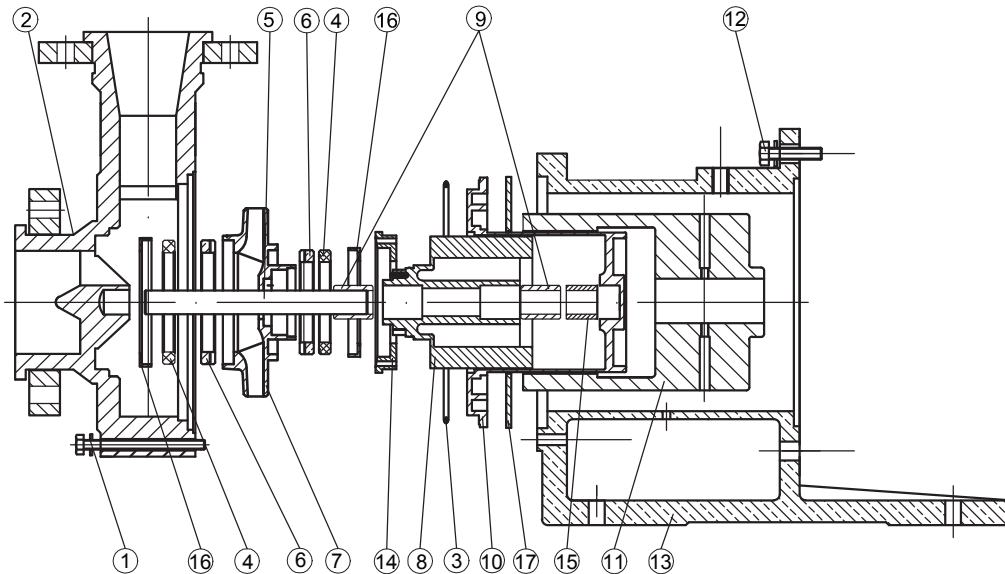
PUMP TYPE	MOTOR FLANGE B5	POT. Kw	DIMENSIONS - mm -											FLANGES DIN PN 10-DIMENSIONS - mm -																				
			A	B	C	D	E	F	G	≠L	N	O	P	R	S	U	U'	V	Z	DNs	DNd													
HCM 65-50-H	G 132	5.5											383																					
	G 132	7.5	365	351	216	250	192	274	103		98	171	300	125	168	n°4 fori Ø18	n°4 fori Ø18	145	188	65	50													
	G 132	9											421																					

≠ Different according to the manufacturer / Diverso a seconda del fornitore

## FEATURES/CARATTERISTICHE

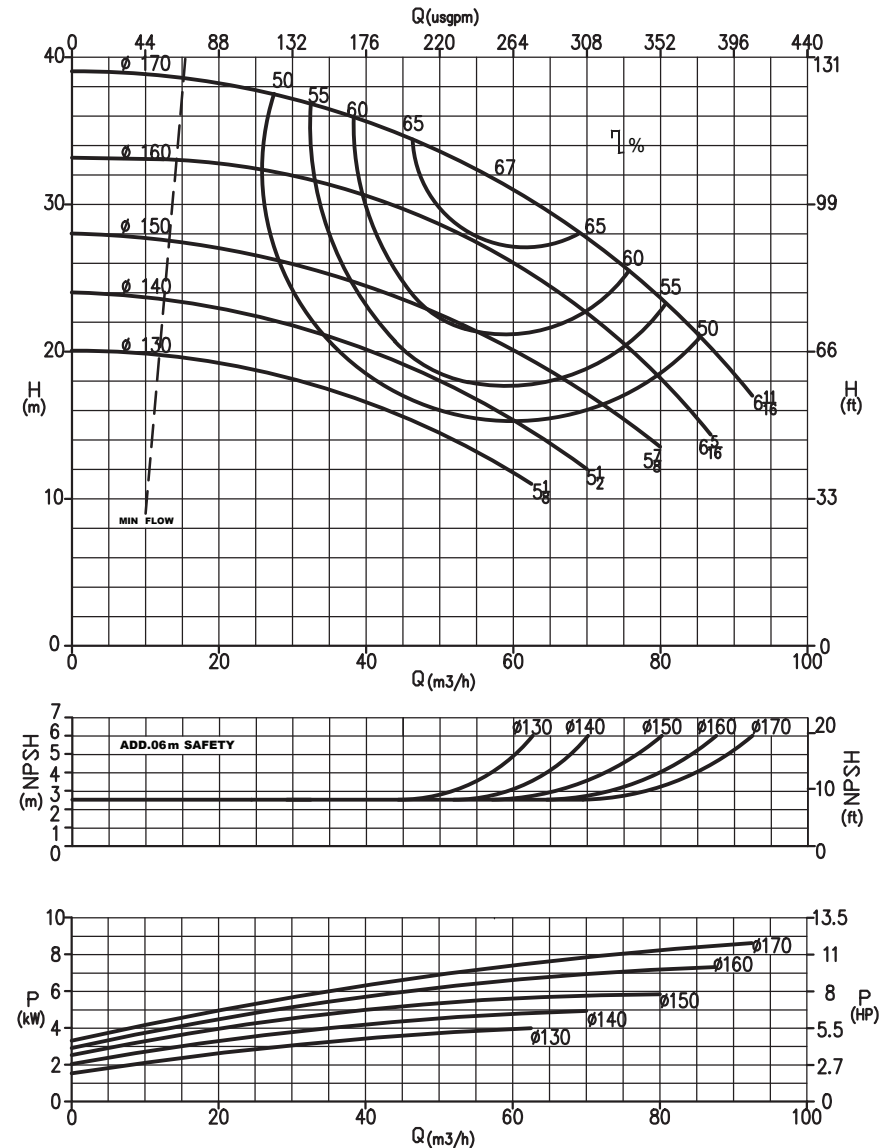
Materials available/Materiali disponibili:	PP-PVDF
Max flow/Portata massima:	92 m <sup>3</sup> /h
Max head/Prevalenza massima:	38 m
Max temperature/Temperatura massima:	PP 60°C/PVDF 90°C
Max viscosity/Viscosità massima:	200 cSt
Pressure rating/Pressione nominale massima:	NP/PN @
Pump weight/Peso pompa:	PP: 55 Kg PVDF: 60 Kg
Motor weight/Peso motore (11kW):	approx. 120 Kg

## SECTION AND PARTS LIST/SEZIONE E LISTA PARTI

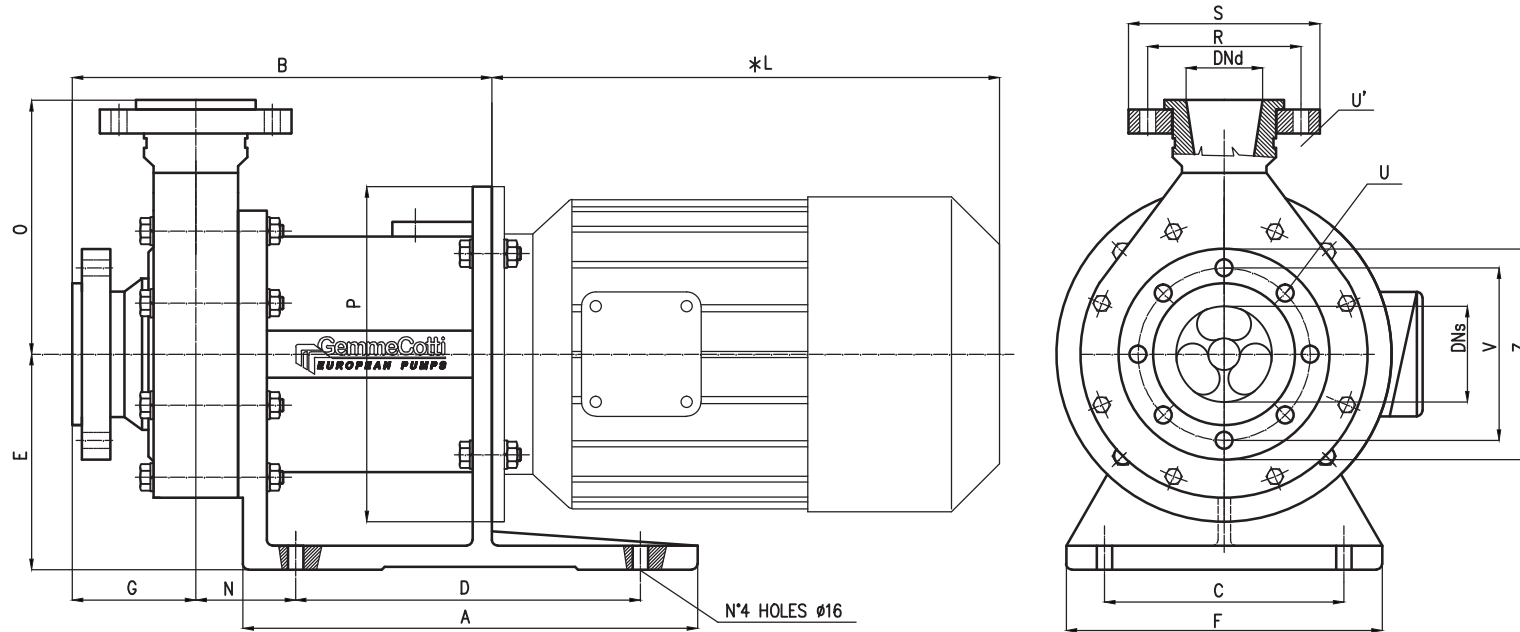


POS.	1	2	3	4	5	6	7	8	9	10	11	12	13	14	15	16	17
PART DESCR.	SET SCREWS	PUMP HEAD	O-RING	STATIC RING	SHAFT	ROTATING RING	IMPELLER	INT. MAGNET	INT. MAGNET RING	REAR CASING	EXT. MAGNET	SET SCREWS	BRACKET	FLANGE	REAR BEARING	GLOVE	RING
MATERIALS	AISI304	PP PVDF	EPDM VITON	Al <sub>2</sub> O <sub>3</sub>	Al <sub>2</sub> O <sub>3</sub>	PTFEC	PP PVDF	PP PVDF NeFeb	PTFEC	PP PVDF	AVP NeFeb	AISI304	Cast Iron Aluminium	PP PVDF	PTFEC-25% C	EPDM VITON	AISI 304 AISI 316

## CURVES/CURVE 50HZ-2900 RPM



All data stated are an indication and are liable to change without notice / Tutti i dati sono indicativi e possono variare senza preavviso



Base plate and motor as option – quoted under request with separated price  
 Piede d'appoggio e motore opzionali – prezzo quotato a parte su richiesta

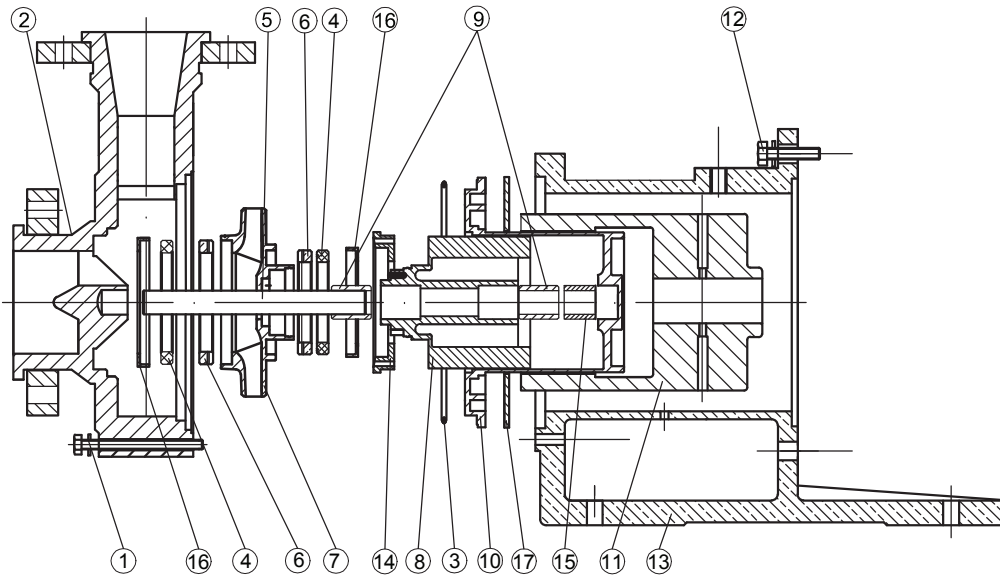
PUMP TYPE	MOTOR FLANGE B5	POT. Kw	DIMENSIONS – mm –											FLANGES DIN PN 10–DIMENSIONS – mm –										
			A	B	C	D	E	F	G	*L	N	O	P	R	S	U	U'	V	Z	DN <sub>s</sub>	DN <sub>d</sub>			
HCM 80–65	G 132S2	7.5																						
	G 160M2A	11	475	430	250	360	225	330	121	510	105	234	350	145	188	n°8 fori Ø18	n°4 fori Ø18	160	200	80	65			
	G 160M2B	15																						
	G 160L2	18.5								554														

\* Different according to the manufacturer / Diverso a seconda del fornitore

## FEATURES/CARATTERISTICHE

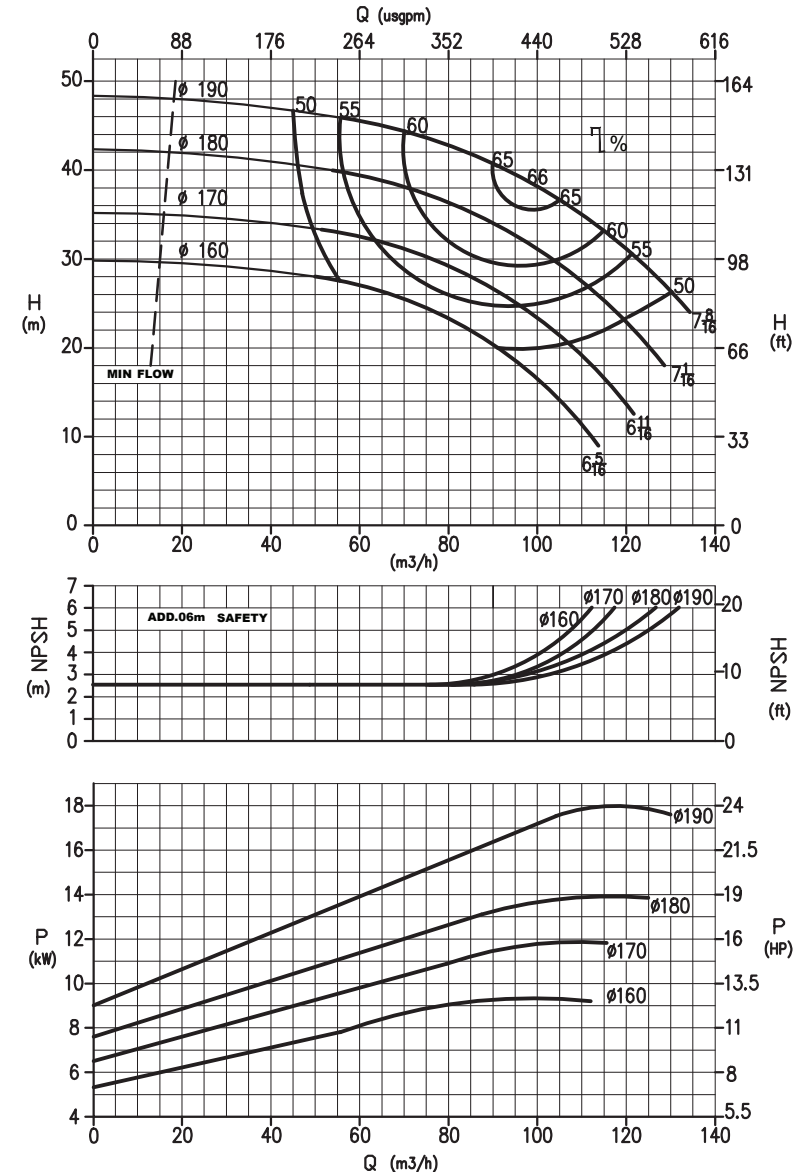
Materials available/Materiali disponibili:	PP-PVDF
Max flow/Portata massima:	135 m <sup>3</sup> /h
Max head/Prevalenza massima:	48 m
Max temperature/Temperatura massima:	PP 60°C/PVDF 90°C
Max viscosity/Viscosità massima:	200 cSt
Pressure rating/Pressione nominale massima:	NP/PN @
Pump weight/Peso pompa:	PP: 60 Kg PVDF: 66 Kg
Motor weight/Peso motore (22kW):	approx. 190 Kg

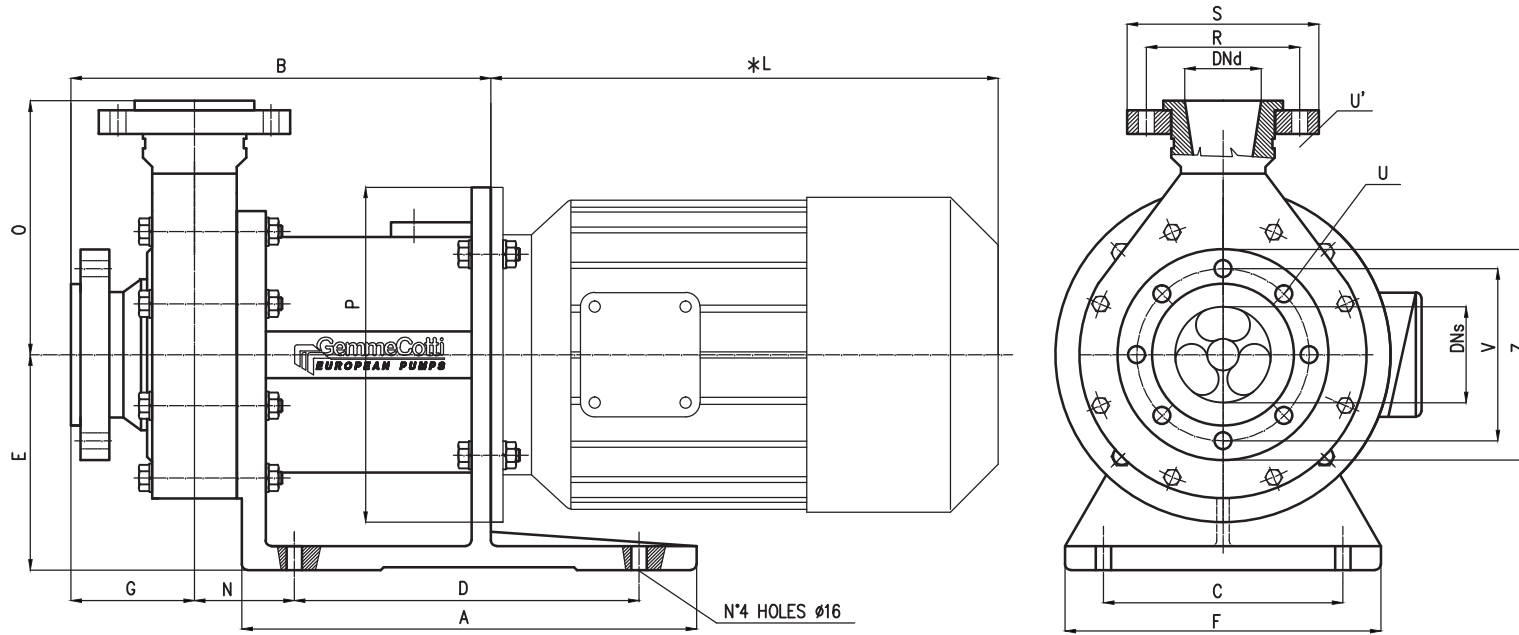
## SECTION AND PARTS LIST/SEZIONE E LISTA PARTI



POS.	1	2	3	4	5	6	7	8	9	10	11	12	13	14	15	16	17
PART DESCR.	SET SCREWS	PUMP HEAD	O-RING	STATIC RING	SHAFT	ROTATING RING	IMPELLER	INT. MAGNET	INT. MAGNET RING	REAR CASING	EXT. MAGNET	SET SCREWS	BRACKET	FLANGE	REAR BEARING	GLOVE	RING
MATERIALS	AISI304	PP PVDF	EPDM VITON	Al <sub>2</sub> O <sub>3</sub>	Al <sub>2</sub> O <sub>3</sub>	PTFEC	PP PVDF	PP PVDF NeFeb	PTFEC	PP PVDF	AVP NeFeb	AISI304	Cast Iron Aluminium	PP PVDF	PTFEC-25% C	EPDM VITON	AISI 304 AISI 316

## CURVES/CURVE 50HZ-2900 RPM





Motor as option – quoted under request with separated price  
Motore opzionale – prezzo quotato a parte su richiesta

PUMP TYPE	MOTOR FLANGE B5	POT. Kw	DIMENSIONS - mm -											FLANGES DIN PN 10-DIMENSIONS - mm -							
			A	B	C	D	E	F	G	*L	N	O	P	R	S	U	U'	V	Z	DNs	DNd
HCM 100-80	G 160M2A	11	475	440	250	360	225	330	129	510	105	263	350	160	200	n°8 fori Ø18	n°8 fori Ø18	180	220	100	80
	G 160M2B	15								554											
	G 160L2	18.5								595											
	G 180M2	22																			

\* Different according to the manufacturer / Diverso a seconda del fornitore